

# PV-RC200HDW

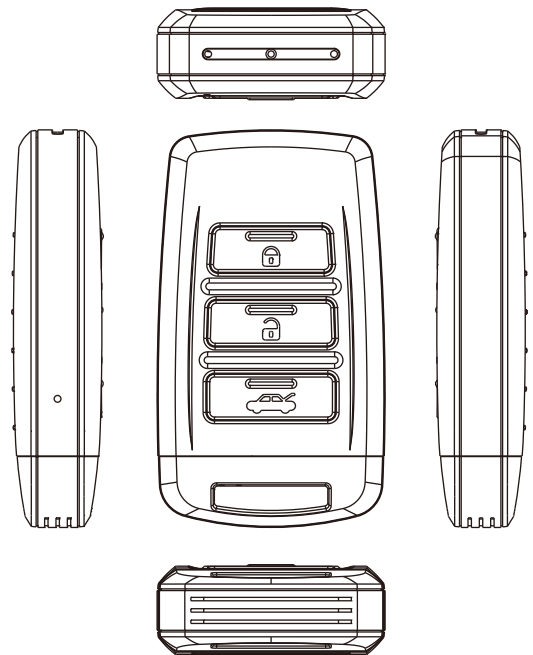
## 1080p Keyfob WiFi DVR

### Features

- Wi-Fi built-in 1080p keyfob DVR
- Smallest 5MP pin-hole camera
- Records at 1080p/720p/WVGA
- 1080p high definition video 1920x1080 H.264 30fps .mov format
- Recording and play back video on App
- Real time record any video and audio evidence
- Vibration alert for Power/ Rec / Wi-Fi
- LED indicators for power / charging / Wi-Fi / Rec
- Stream real time recording on your smart phone or pad
- Allows you to store video files on your smart phone



### Product Sketch

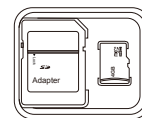


Item Number	PV-RC200HDW
Camera	1/3" progressive CMOS sensor
Angle of View	66 Degree
Video Resolution	1920x1080 ; 1280x720 ; 800x480 (all @ 30 FPS)
Photo Resolution	5MP
Sensor Resolution	2592x1944
Wi-Fi	Built-in WiFi Module(IEEE 802.11b/g/n)
Memory Type	Micro SD Card
Lens	4mm
Min. Illumination	3.3 Lux @ F 2.0
Video File Format	MOV / JPG
Picture File Format	JPEG
PC Interface	Mini USB2.0
Time Stamp	YYYY.MM.DD. HH:MM:SS
Vibration Alert	On/Off/Record/Low Battery/ Wi-Fi on&off
Charging Time	180 min(300mA)
Battery Type	DC 3.7V / 650 mA high polymers battery
Battery Life	Continuous recording 65min(WiFi on)/75min(WiFi off)
Recording Time	Approx. 160min @ 1080p (16GB memory card)
Memory Type	Micro SD Card (Support up to 16GB)
Dimension	71x41x16mm
Weight	46g

### Standard Acces



USB Cable



Memory Card

User's manual

\*Specifications are subject to change without prior notice.

CE/FCC Certification In Process