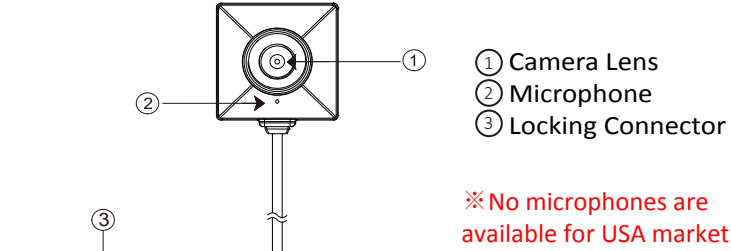


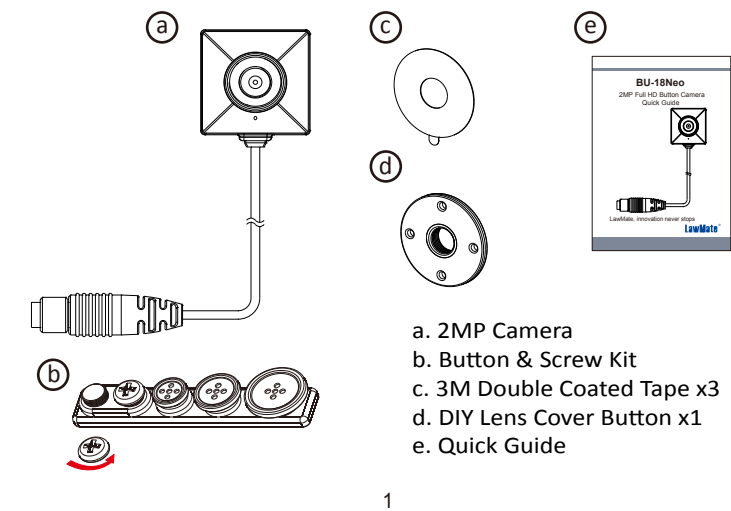
1. BU-18Neo Names and Parts



- ① Camera Lens
- ② Microphone
- ③ Locking Connector

※ No microphones are available for USA market.

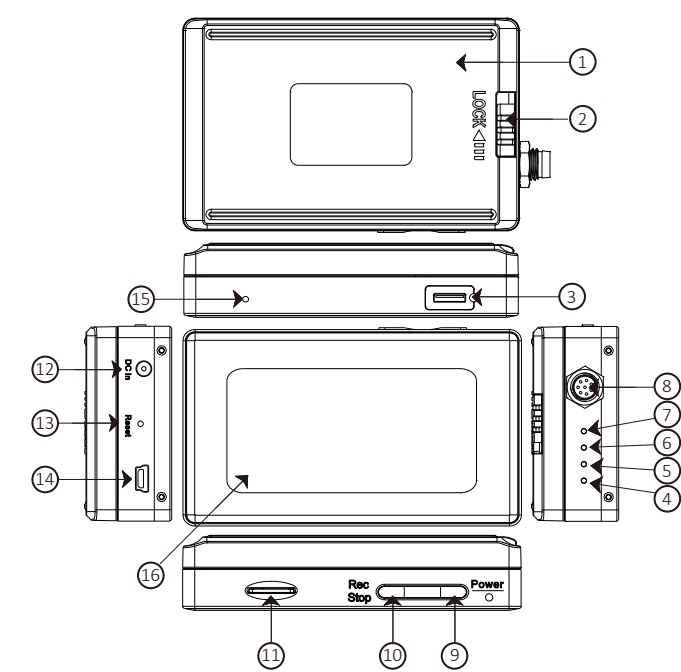
2. Package Content of BU-18Neo



- a. 2MP Camera
- b. Button & Screw Kit
- c. 3M Double Coated Tape x3
- d. DIY Lens Cover Button x1
- e. Quick Guide

1

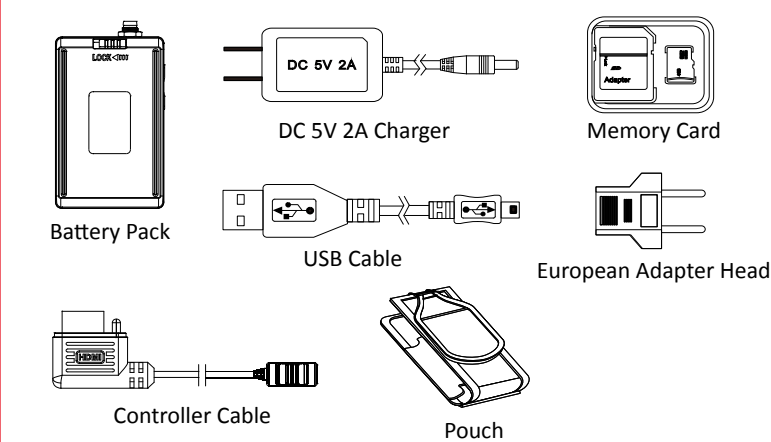
3. PV-500Neo Pro Names and Parts



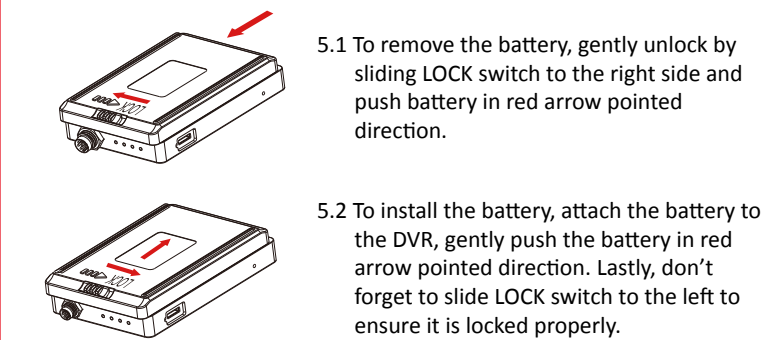
- 1. Battery Pack
- 2. Battery Lock Switch
- 3. Controller Port
- 4. Charge - Green LED
- 5. Rec. - Red LED
- 6. Wi-Fi - Orange LED
- 7. Power - Blue LED
- 8. Camera In Port
- 9. Power / Wi-Fi on & off Button
- 10. Rec on / stop Button
- 11. Memory Card Slot
- 12. DC 5V in Jack
- 13. Reset Key
- 14. USB Port
- 15. Default Key
- 16. Touch Screen

2

4. Package Content of PV-500Neo Pro



5. Install and Remove Battery

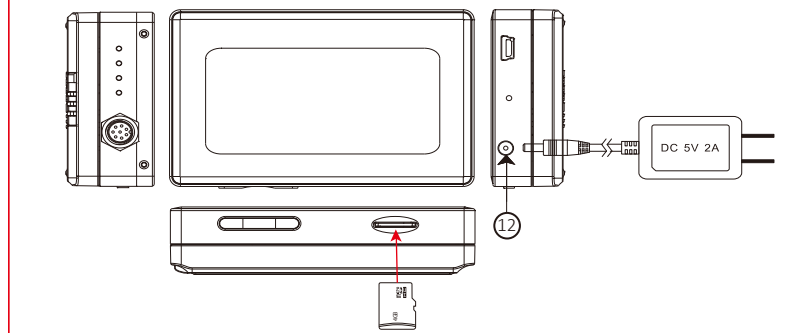


5.1 To remove the battery, gently unlock by sliding LOCK switch to the right side and push battery in red arrow pointed direction.

5.2 To install the battery, attach the battery to the DVR, gently push the battery in red arrow pointed direction. Lastly, don't forget to slide LOCK switch to the left to ensure it is locked properly.

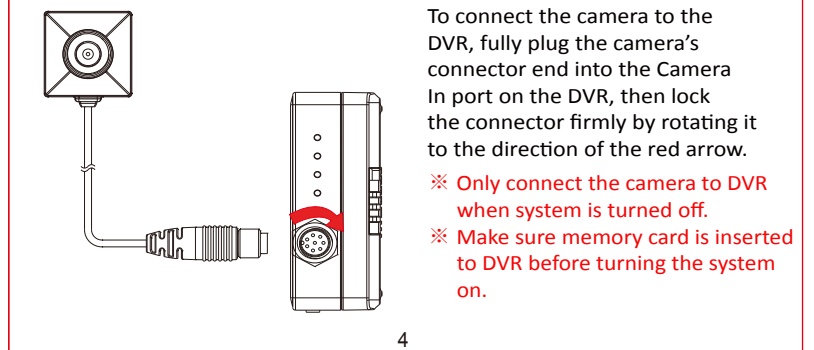
3

6. Battery Charging



1. Connect the charger plug to the DC in Jack ⑫.
2. Plug the power cord of the charger to an AC wall outlet. The charging starts automatically. The device can record while charging.
 - Solid green LED ■ - the device is charging.
 - Green LED goes off - the device is fully charged.

7. Connecting Camera to DVR

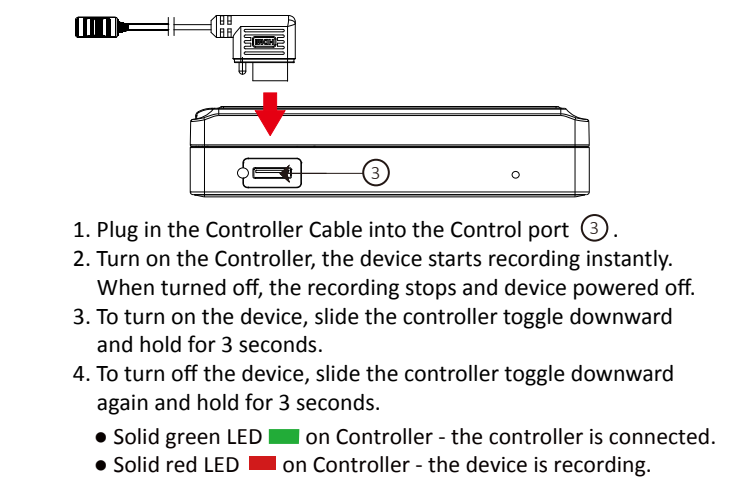


To connect the camera to the DVR, fully plug the camera's connector end into the Camera In port on the DVR, then lock the connector firmly by rotating it to the direction of the red arrow.

- ※ Only connect the camera to DVR when system is turned off.
- ※ Make sure memory card is inserted to DVR before turning the system on.

4

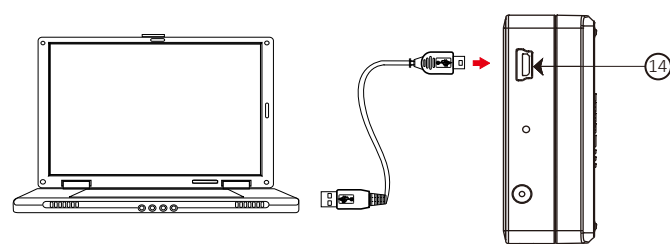
8. Connect the Wired Controller to the DVR



1. Plug in the Controller Cable into the Control port ③.
2. Turn on the Controller, the device starts recording instantly. When turned off, the recording stops and device powered off.
3. To turn on the device, slide the controller toggle downward and hold for 3 seconds.
4. To turn off the device, slide the controller toggle downward again and hold for 3 seconds.
 - Solid green LED ■ on Controller - the controller is connected.
 - Solid red LED ■ on Controller - the device is recording.

9. Connect the DVR to the Computer

With the DVR powered off, plug the USB Cable into the USB port ⑭ on DVR and the other end to the computer.



5

10. Format the Memory Card

1. Insert the memory card into ⑪ as the icon shown on the device.
2. With device powered off, press and hold Rec button ⑩.
3. And then press Power button ⑨ for 3 seconds until you see the blinking red LED.
4. Lastly, release both buttons at the same time.
 - Blinking Red LED ■ + Solid Blue LED ■ - the memory card is being formatted.
 - All lights go off - the formatting is completed.

⚠ Caution: To make the memory card recognizable, please be sure to format the memory card before using it for the first time. Please note that formatting on computer is not recommended, for it might result in the failure for the computer to recognize the card.

11. Date and Time Setting (For Windows System)

1. From the desktop right-click to open Notepad, create a text file named **settime.txt**
2. On the first line of file, enter date and time information as year.month.day hours.minutes.seconds. For example, suppose the time is October 16, 2017 15:00. Then enter **2017.10.16 15:00:00**
 - ※ There should be a space left between day and hours, and the time format should be of 24-hour clock.
3. Save the file to the root directly of the memory card.
4. Insert the memory card into the slot, and power on the device. The date and time setting is now completed.
 - ※ When the date and time setting is completed. The file **settime.txt** should not be visible when you connect the device to the computer again.

6

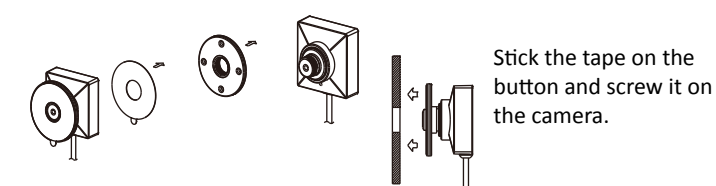
12. Operation

1. Power on: Press ⑨ for 3 seconds.
 2. Recording: With device powered on, press ⑩ to start or stop recording.
 3. Wi-Fi: With device powered on, press ⑨ to turn on/off Wi-Fi.
 4. Power off: With no ongoing recording, press ⑨ for 3 seconds.
 5. Reset: When the device functions abnormally, press ⑮.
 6. Restore default Wi-Fi password: long press ⑮ for 4 seconds.
 7. Restore default setting: press ⑮ for 10 seconds.
 - Solid blue LED ■ - power on.
 - Solid red LED ■ - recording on.
 - Blinking orange LED ■ - device searching for Wi-Fi connection.
 - Solid orange LED ■ - device is connected to Wi-Fi.
- ※ The device powers off itself when memory card is full.

13. Download Videos and Photos from DVR

- Knowing that all video files are stored in the memory card, you can process the following steps to download videos.
1. Use a memory card reader to transfer files from the card to the computer.
 2. Or, connect the device to a computer with memory card inserted. Turn on the device and it will work as a flash drive.

14. Put on DIY Lens Cover Button



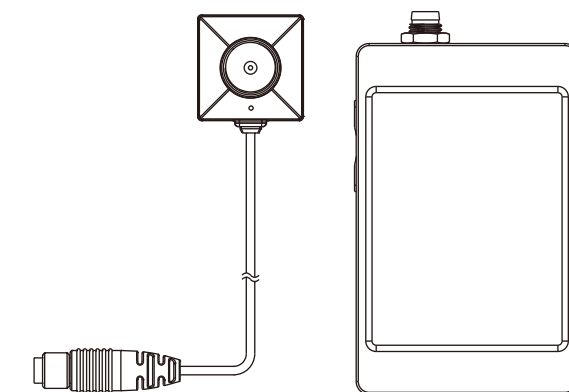
Stick the tape on the button and screw it on the camera.

※ Do not remove serial number sticker! Warranty is invalid if the sticker is tampered.

7

PV-500NP Bundle

BU-18Neo + PV-500Neo Pro Package



LawMate, innovation never stops

LawMate®

V1.0