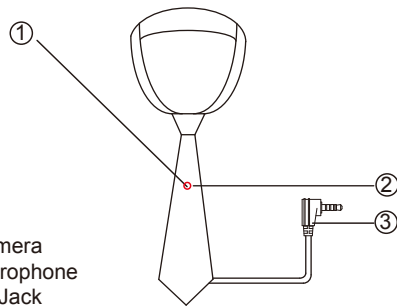
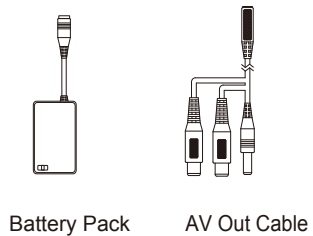


### 1. Name and Parts



\* No microphones are available for USA market.

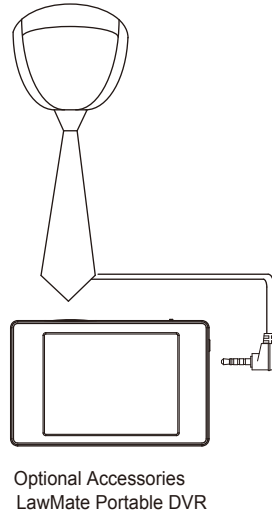
### 2. Package Content



1

### 3. Connect Necktie Covert Camea to a DVR

1. Plug the AV jack into CAM IN port of the DVR.  
(See illustration below)
2. Once the camera is correctly connected to the DVR, it is ready to use. Switch to REC to start recording.

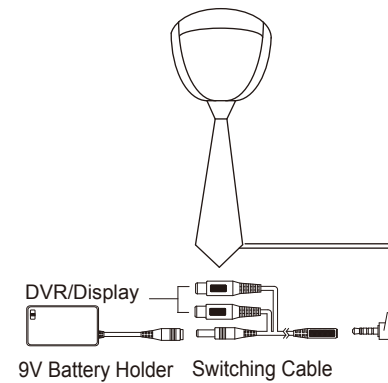


2

### 4. Connection with AV Out cable

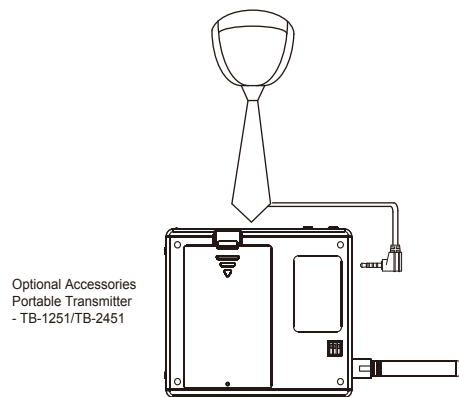
If you do not use LawMate portable DVR and would like to connect NT-19Plus to your own DVR or TV/ Monitor, you could use AV Out cable to make the connection.

1. Install the device as illustration shown below.
2. Connect yellow and red cables to your DVR or display.
3. Connect 9V power-cord to your power supply.  
\*If you do not have the power supply, you can use our battery holder to supply the power. Slide the back cover of battery holder to open the battery tray. Insert a PP3 (9V) battery into battery tray. Switch to ON position.
4. Captured images are automatically shown on the connected DVR or display.



3

### 5. Connection with Wireless Equipment

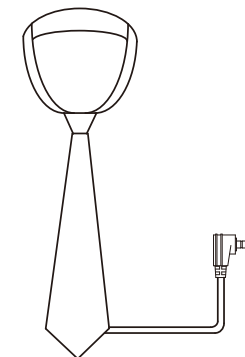


1. Camera can also be connected with RF wireless equipment.
2. Connect AV jack to portable transmitter.
3. Connect DVR or any recording device with portable receiver.
4. Set transmitter and receiver at the same frequency or channel.
5. Turn on receiver's power.
6. Captured images will be shown on receiver side.
7. Note that receiver should be connected with TV / Monitor in order to display captured images.

4

## NT-19Plus

### 700 TV Line Necktie CCD Camera Quick Guide



LawMate, innovation never stops

**LawMate**<sup>®</sup>

V1.0