

PV-RC200HDi

1080p Keyfob IP DVR

Features

- IP based 1080p keyfob DVR
- Smallest pin-hole camera
- Records at 1080p/720p/WVGA
- Exclusive App for streaming live view and changing settings
- Recording and play back video on exclusive App
- 1080p high definition video H.264 30fps .mov format
- Vibration alert for Power/ Rec / Wi-Fi
- LED indicators for power / charging / Wi-Fi / Rec
- Supports up to 32GB SD card
- Overwrite function

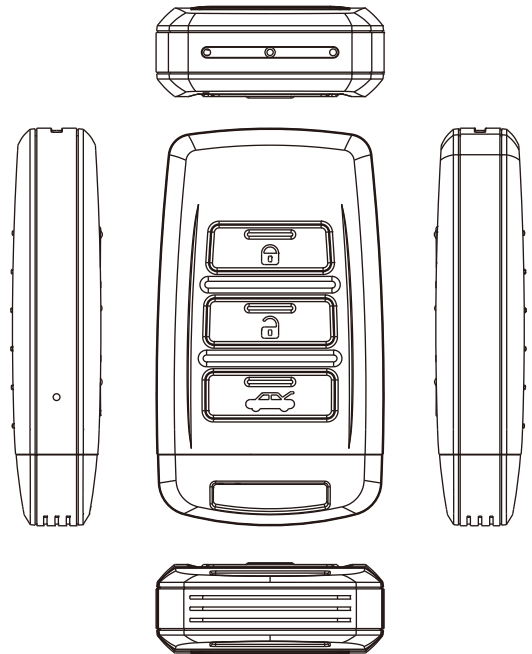
Specification

Item Number	PV-RC200HDi
Camera	1/3" progressive CMOS sensor
Angle of View	66 Degree
Video Resolution	1920x1080 ; 1280x720 ; 848x480 (all @ 30 FPS)
Photo Resolution	2M
Sensor Resolution	2304x1536
Wi-Fi	Built-in WiFi Module(IEEE 802.11b/g/n)
Memory Type	Micro SD Card (Up to 32GB SDHC)
Lens	4mm
Min. Illumination	3.3 Lux @ F 2.0
Video File Format	MOV / JPG
Picture File Format	JPEG
PC Interface	Mini USB2.0
Time Stamp	YYYY.MM.DD. HH:MM:SS
Vibration Alert	On/Off/Record/Low Battery/ Wi-Fi on&off
Charging Time	120 min(560mA)
Battery Type	DC 3.7V / 650 mA high polymers battery
Battery Life	Continous recording 60min(Wi-Fi on)/70min(Wi-Fi off)
Recording Time	Approx. 300min @ 1080p (16GB memory card)
Dimension	71x41x16mm
Weight	46g

*Specifications are subject to change without prior notice.



Product Sketch



Standard Accessories



Memory Card



Key Ring



Pouch



USB Cable